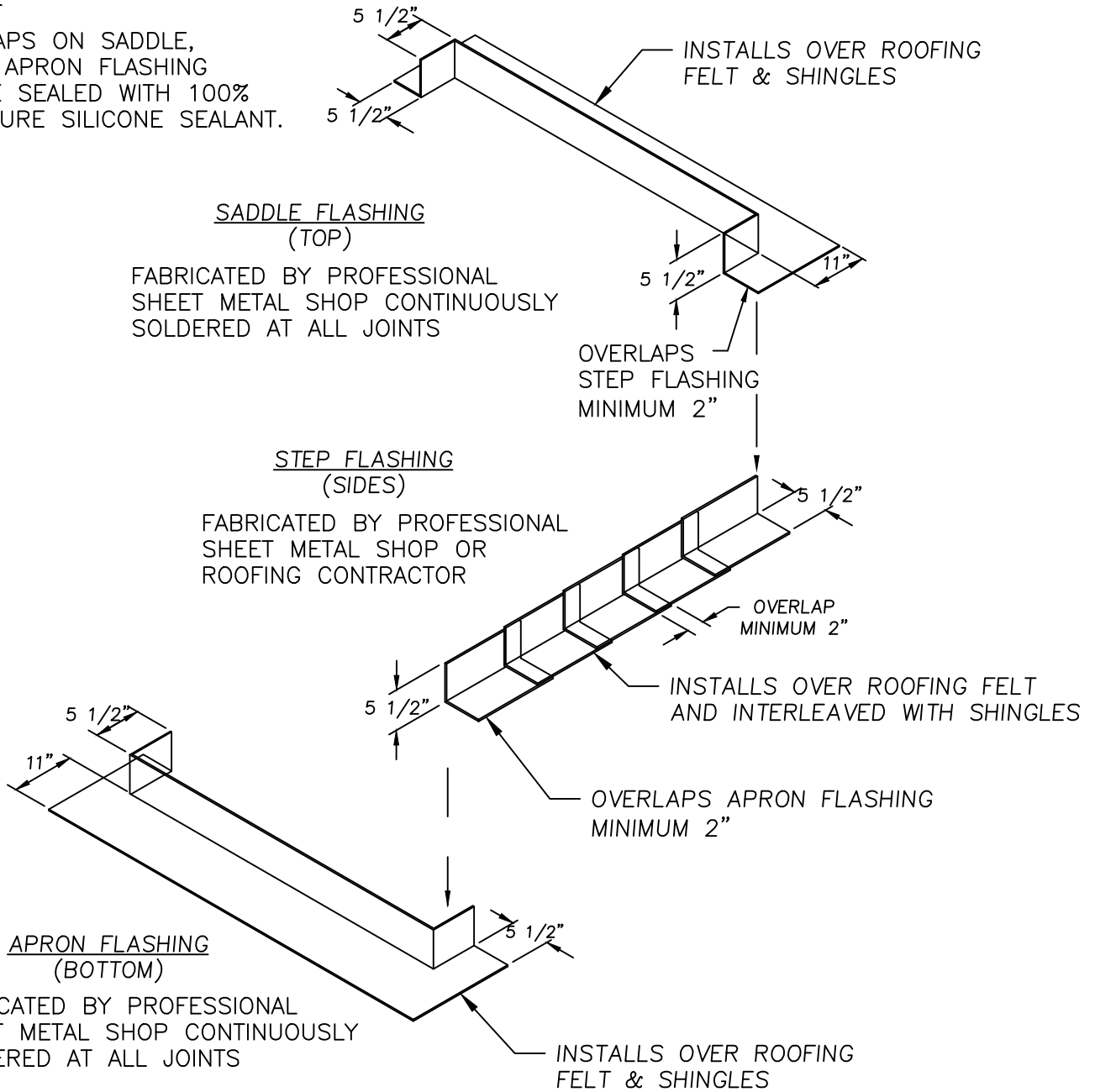


IMPORTANT:

ALL OVERLAPS ON SADDLE, STEP, AND APRON FLASHING SHOULD BE SEALED WITH 100% NEUTRAL-CURE SILICONE SEALANT.



SKYLIGHT FLASHING DETAIL
NOT TO SCALE

Because IBP has no control over installation, workmanship, accessory materials or conditions of application, no representation or warranty, expressed or implied, either as to MERCHANTABILITY OR FITNESS FOR A PARTICULAR PURPOSE is made as to the performance or results of an installation of this product.

Innovative Building Products, Inc.
P.O. Box 425 Fort Worth, TX 76101
Phone: (800) 932-2263
Fax: (817) 332-1406
Plant: 206 Dotson St. Denton, TX 76205



SF-1

JAN. 2017