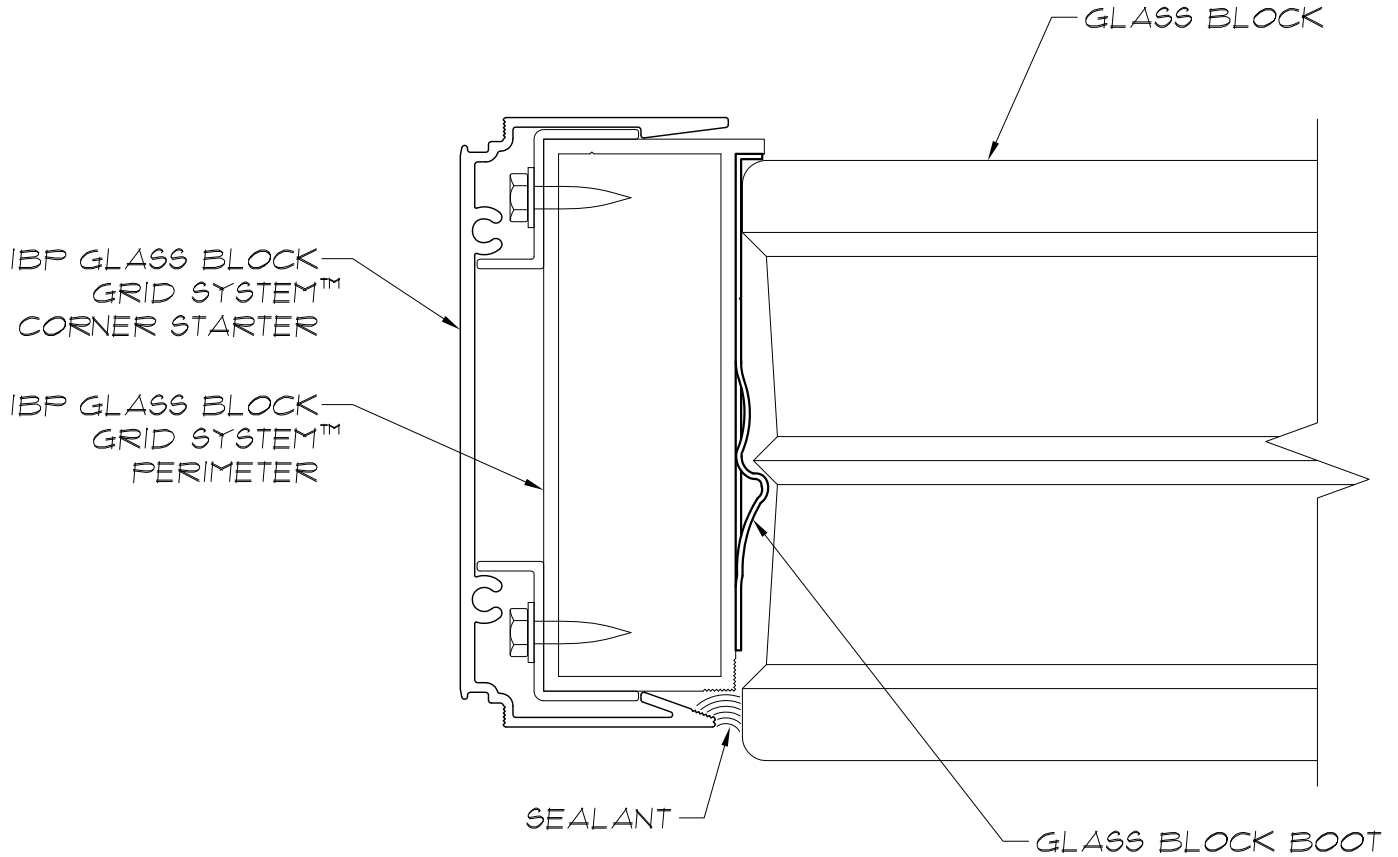


GRID (T-BAR) SIDE



SEALANT SIDE

## DETAIL - FINISHED END

SCALE: N.T.S.

Because IBP has no control over installation, workmanship, accessory materials, or conditions of application, no representation or warranty, expressed or implied, either as to MERCHANTABILITY OR FITNESS FOR A PARTICULAR PURPOSE is made as to the performance or results of an installation of this product.

**IBP grid system**<sup>TM</sup>  
WINDOWS WALLS SKYLIGHTS FLOORS SHOWERS

Innovative Building Products, Inc. • P.O. Box 425 Fort Worth, TX 76101  
Phone: (800) 932-2263 • Fax: (817) 332-1406  
Plant • 206 Dotson St. Denton, TX 76205

IBP Glass Block Grid System<sup>TM</sup>  
is a trademark of Innovative Building Products, Inc. • Fort Worth, TX, USA  
U.S. Patent Numbers:  
4294649 • 4999964 • 5003744 • 5042210 • 5218806  
Australia: 634975 • 638988 Canada: 1328970 • 2015714  
Brazil: P18904269-7 Greece: 3010097 • 3017183 Ireland: 62,450 • 67,796  
European: 0396075 • 0356374 Mexico: 165468 • 172717  
New Zealand: 230417 • 233568 Other patents pending worldwide

**SC-1**  
2010