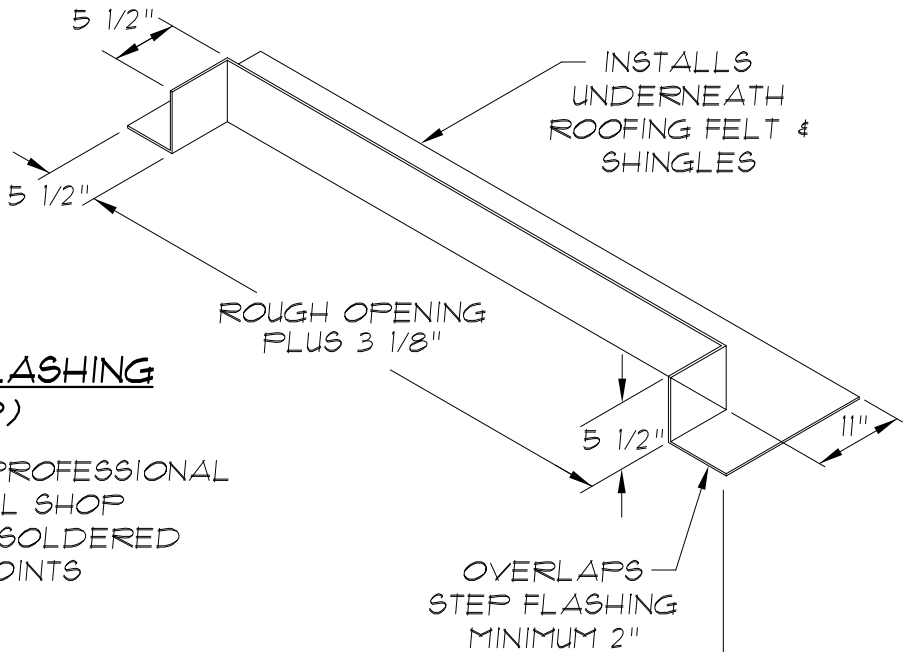


IMPORTANT:

ALL OVERLAPS ON SADDLE, STEP, AND APRON FLASHING SHOULD BE SEALED WITH 100% NEUTRAL-CURE SILICONE SEALANT.

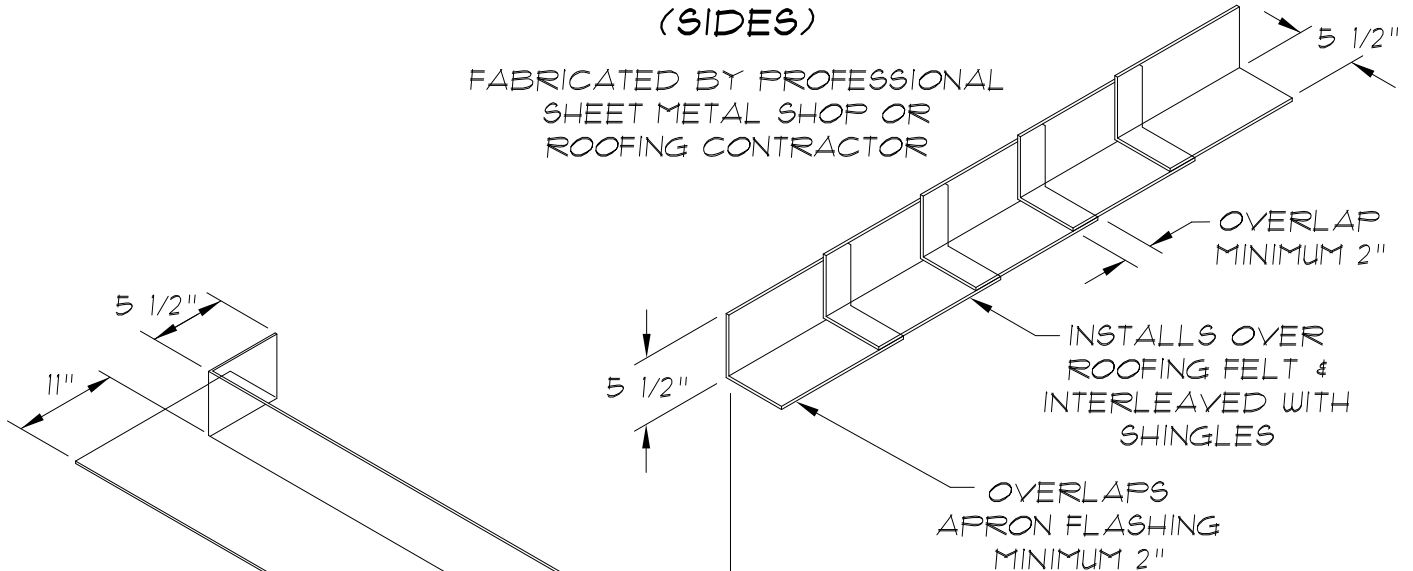
**SADDLE FLASHING
(TOP)**

FABRICATED BY PROFESSIONAL SHEET METAL SHOP CONTINUOUSLY SOLDERED AT ALL JOINTS



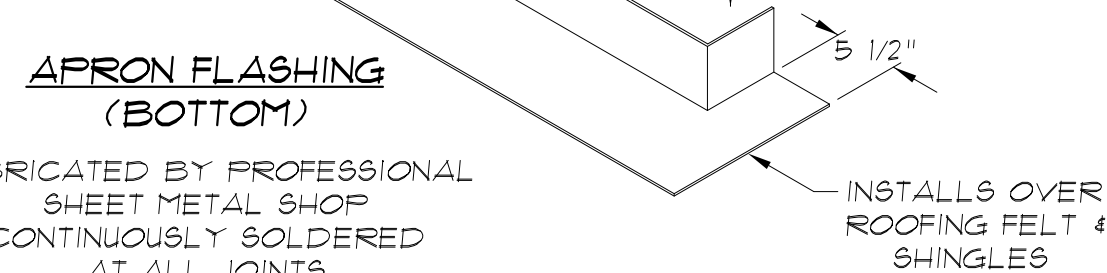
**STEP FLASHING
(SIDES)**

FABRICATED BY PROFESSIONAL SHEET METAL SHOP OR ROOFING CONTRACTOR



**APRON FLASHING
(BOTTOM)**

FABRICATED BY PROFESSIONAL SHEET METAL SHOP CONTINUOUSLY SOLDERED AT ALL JOINTS



SKYLIGHT FLASHING DETAIL

SCALE: N.T.S.

IBP grid system™

WINDOWS WALLS SKYLIGHTS FLOORS SHOWERS

Innovative Building Products, Inc. • P.O. Box 425 Fort Worth, TX 76101
Phone: (800) 932-2263 • Fax: (817) 332-1406
Plant • 206 Dotson St. Denton, TX 76205

IBP Glass Block Grid System™
is a trademark of Innovative Building Products, Inc. • Fort Worth, TX, USA
U.S. Patent Numbers:
4294649 • 4999964 • 5003744 • 5042210 • 5218806
Australia: 634975 • 638988 Canada: 1328970 • 2015714
Brazil: P18904269-7 Greece: 3010097 • 3017183 Ireland: 62,450 • 67,796
European: 0396075 • 0356374 Mexico: 165468 • 172717
New Zealand: 230417 • 233568 Other patents pending worldwide

SF-1

2010