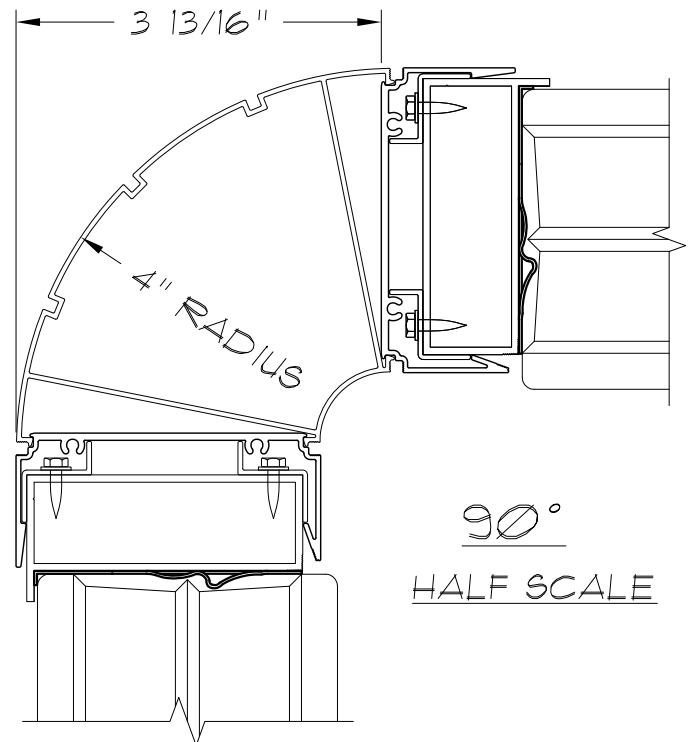
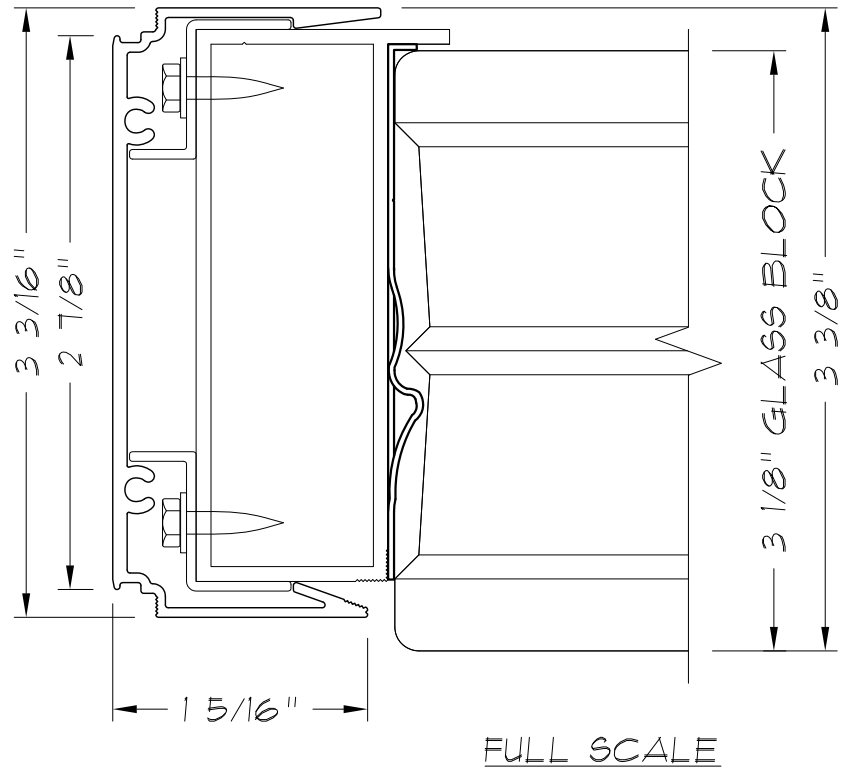


SHOWER (SH) AND INTERIOR PARTITION (IPS) UNITS

NO. OF BLOCKS	MODEL NO. WIDTH OR HEIGHT	ACTUAL SIZE
1	9	10-11/16"
2	17	18-5/8"
3	25	26-1/2"
4	33	34-3/8"
5	41	42-5/16"
6	49	50-3/16"
7	57	58-1/16"
8	65	66"
9	73	73-7/8"
10	80	81-3/4"
11	88	89-11/16"
12	96	97-9/16"
13	104	105-1/2"
14	112	113-3/8"
15	120	121-1/4"



DIMENSIONS SHOWN ARE ACTUAL GRID SIZE DIMENSIONS. ADD 1/8" MINIMUM FOR FINISHED OPENING WHEN BETWEEN TWO WALLS.

GRIDS ARE INTENDED TO BE INSTALLED ON FINISHED SURFACE.

IBP grid system™

WINDOWS WALLS SKYLIGHTS FLOORS SHOWERS

Innovative Building Products, Inc. * P.O. Box 425 Fort Worth, TX 76101

Phone: (800) 932-2263 * Fax: (817) 332-1406

Plant * 206 Dotson St. Denton, TX 76205

Because IBP has no control over installation, workmanship, accessory materials or conditions of application, no representation or warranty, expressed or implied, either as to MERCHANTABILITY OR FITNESS FOR A PARTICULAR PURPOSE is made as to the performance or results of an installation of this product.