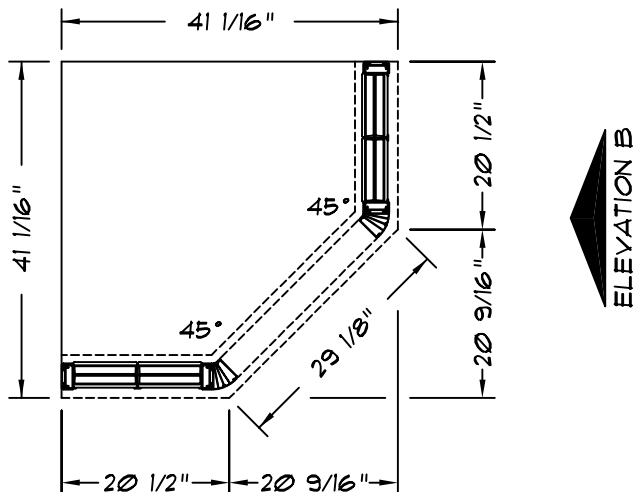
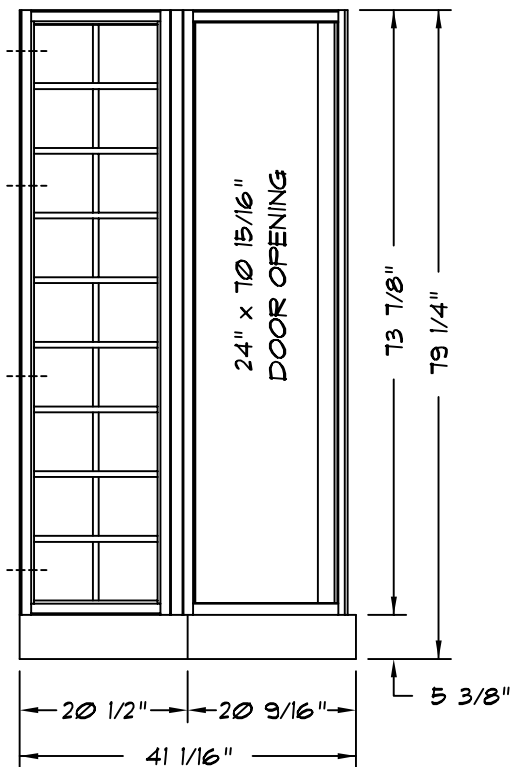


# NEO ANGLE - 2000 SERIES

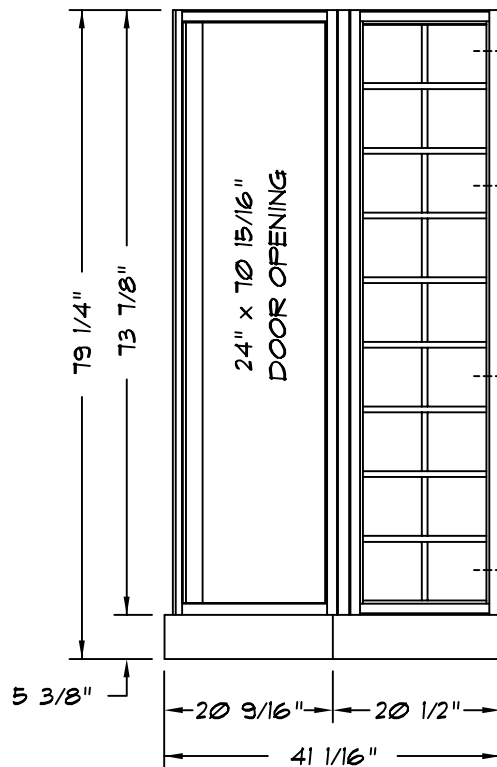
Model : 2001 - 73



ELEVATION A



ELEVATION A

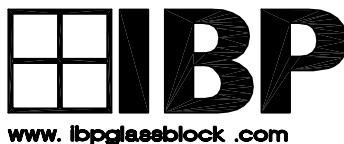


ELEVATION B

ALL DIMENSIONS ARE RECOMMENDED  
FINISHED SURFACE DIMENSIONS

36 GLASS BLOCK REQUIRED (8x8x3)

IBP Glass Block Grid System™  
is a trademark of Innovative Building Products, Inc. \* Fort Worth, TX, USA  
U.S. Patent Numbers:  
4294649 \* 4999964 \* 5003744 \* 5042210 \* 5218806  
Australia: 634975 \* 638988 Canada: 1328970 \* 2015714  
Brazil: P18904269-7 Greece: 3010097 \* 3017183 Ireland: 62,450 \* 67,796  
European: 0396075 \* 0356374 Mexico: 165468 \* 172717  
New Zealand: 230417 \* 233568 Other patents pending worldwide



NEO ANGLE - 2000 SERIES

Model : 2001 - 73