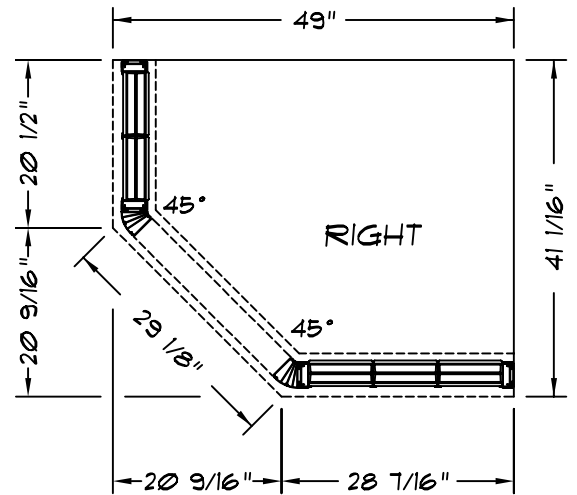
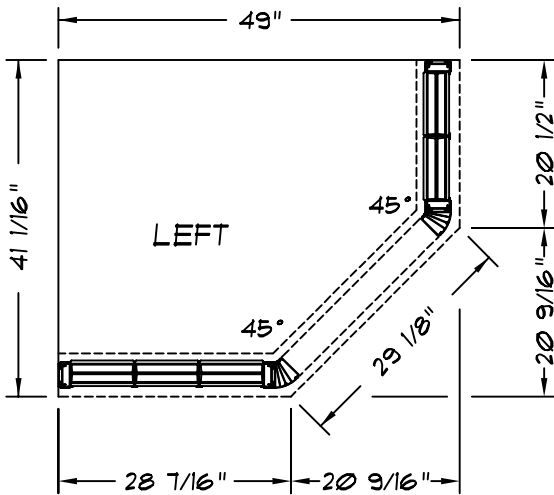


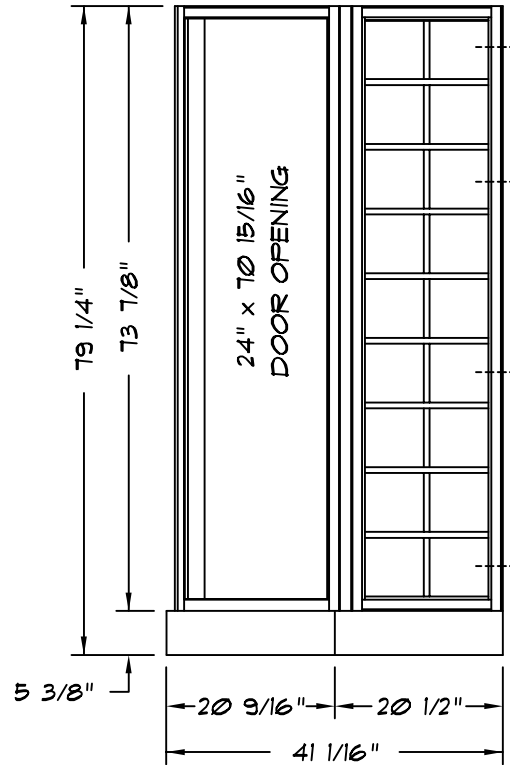
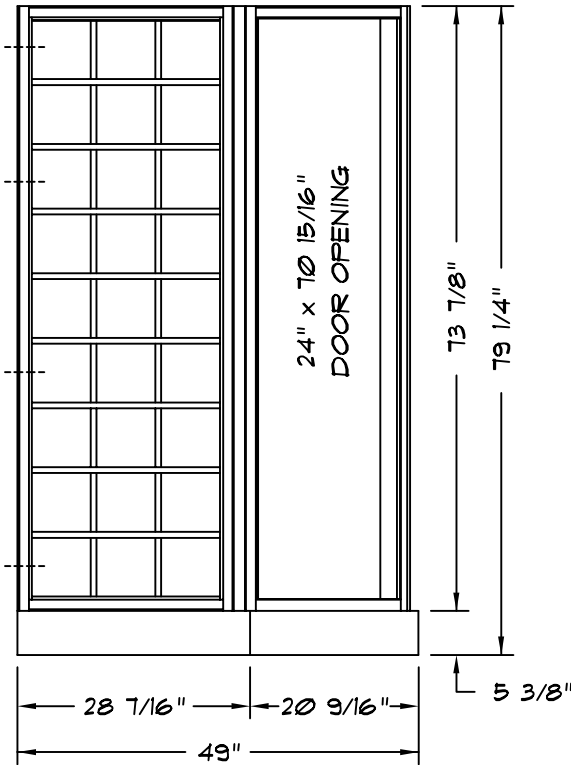
NEO ANGLE - 2000 SERIES

Model : 2002 - 73



ELEVATION B

ELEVATION A



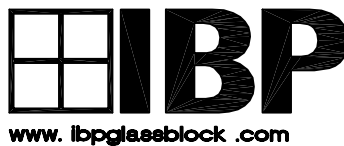
ELEVATION A

ELEVATION B

ALL DIMENSIONS ARE RECOMMENDED
FINISHED SURFACE DIMENSIONS

45 GLASS BLOCK REQUIRED (8x8x3)

IBP Glass Block Grid System™
is a trademark of Innovative Building Products, Inc. • Fort Worth, TX, USA
U.S. Patent Numbers:
4294649 • 4999964 • 5003744 • 5042210 • 5218806
Australia: 634975 • 638988 Canada: 1328970 • 2015714
Brazil: P18904269-7 Greece: 3010097 • 3017183 Ireland: 62,450 • 67,796
European: 0396075 • 0356374 Mexico: 165468 • 172717
New Zealand: 230417 • 233568 Other patents pending worldwide



NEO ANGLE - 2000 SERIES

Model : 2002 - 73