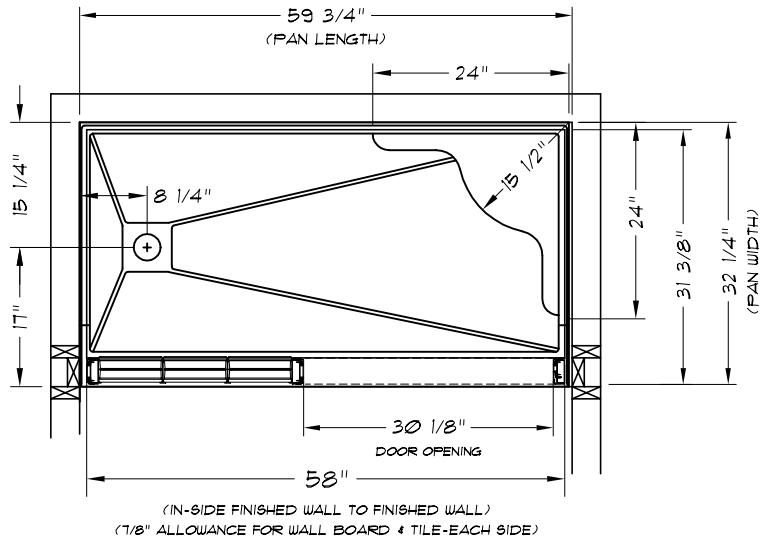
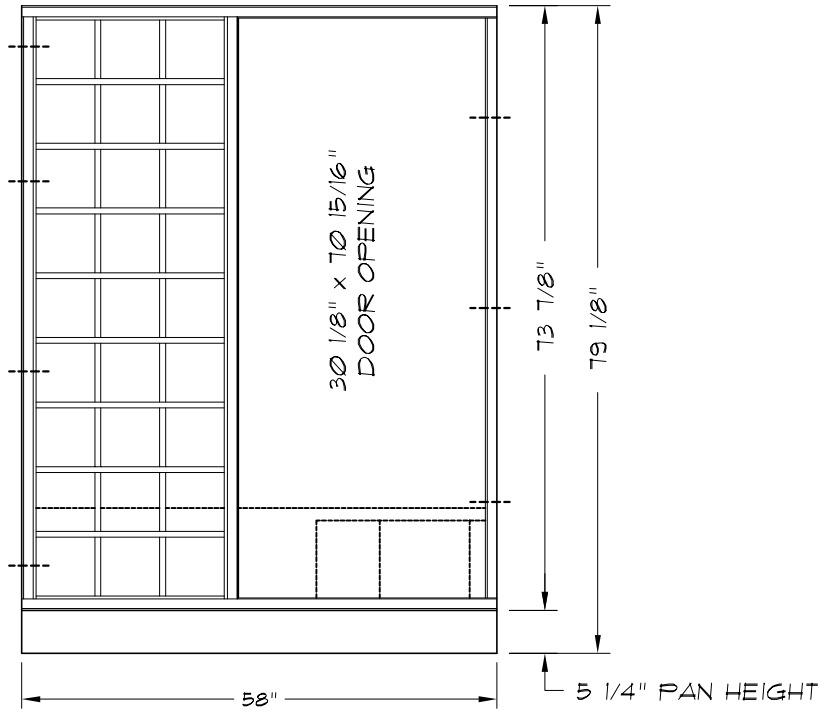


IN LINE - 4000 SERIES

Model : 4002 - 73PS



ELEVATION



ELEVATION

ALL DIMENSIONS ARE RECOMMENDED
 FINISHED SURFACE DIMENSIONS

27 GLASS BLOCK REQUIRED (8x8x3)

IBP Glass Block Grid System™
 is a trademark of Innovative Building Products, Inc. * Fort Worth, TX, USA
 U.S. Patent Numbers:
 4294649 * 4999964 * 5003744 * 5042210 * 5218806
 Australia: 634975 * 638988 Canada: 1328970 * 2015714
 Brazil: P18904269-7 Greece: 3010097 * 3017183 Ireland: 62,450 * 67,796
 European: 0396075 * 0356374 Mexico: 165468 * 172717
 New Zealand: 230417 * 233568 Other patents pending worldwide



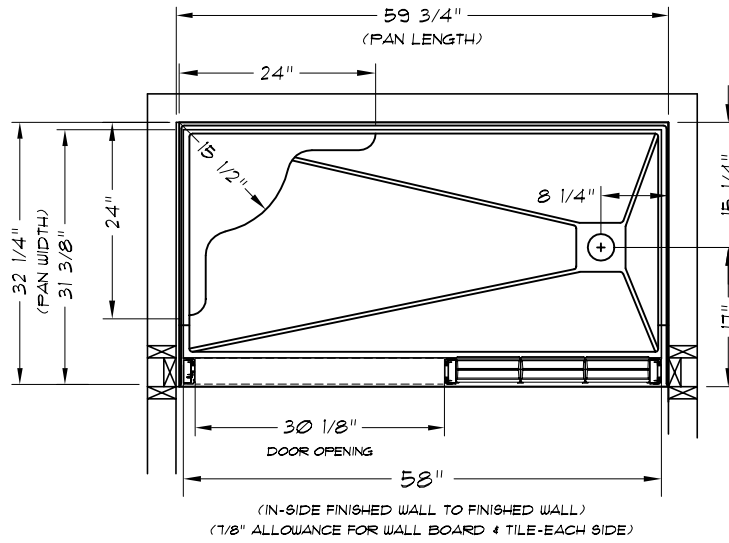
www.ibpglassblock.com

IN LINE - 4000 SERIES
 (LEFT DRAIN)

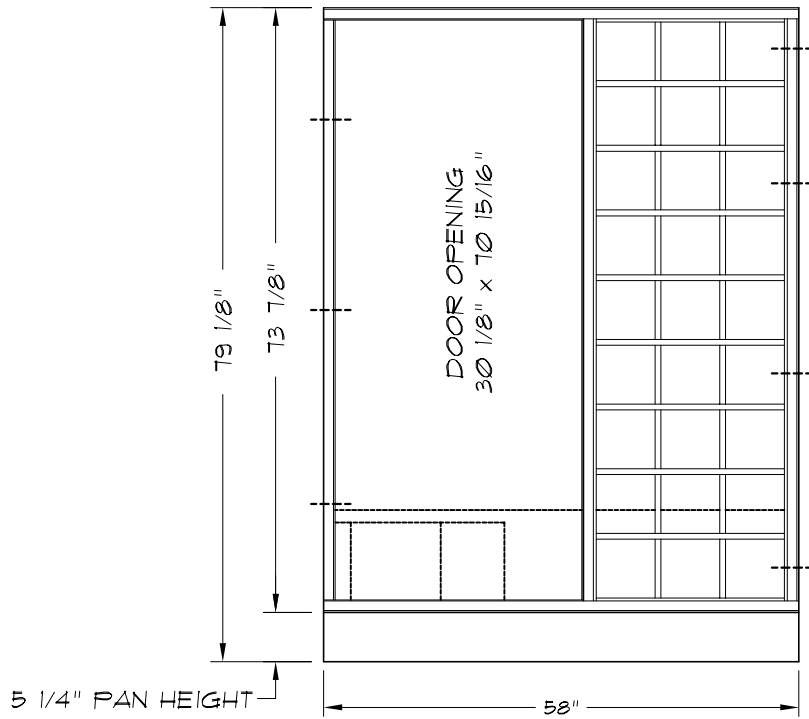
Model : 4002 - 73PS

IN LINE - 4000 SERIES

Model : 4002 - 73PS



ELEVATION

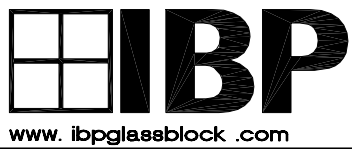


ELEVATION

ALL DIMENSIONS ARE RECOMMENDED
 FINISHED SURFACE DIMENSIONS

27 GLASS BLOCK REQUIRED (8x8x3)

IBP Glass Block Grid System™
 is a trademark of Innovative Building Products, Inc. * Fort Worth, TX, USA
 U.S. Patent Numbers:
 4294649 * 4999964 * 5003744 * 5042210 * 5218806
 Australia: 634975 * 638988 Canada: 1328970 * 2015714
 Brazil: P18904269-7 Greece: 3010097 * 3017183 Ireland: 62,450 * 67,796
 European: 0396075 * 0356374 Mexico: 165468 * 172717
 New Zealand: 230417 * 233568 Other patents pending worldwide



IN LINE - 4000 SERIES
 (RIGHT DRAIN)
 Model : 4002 - 73PS