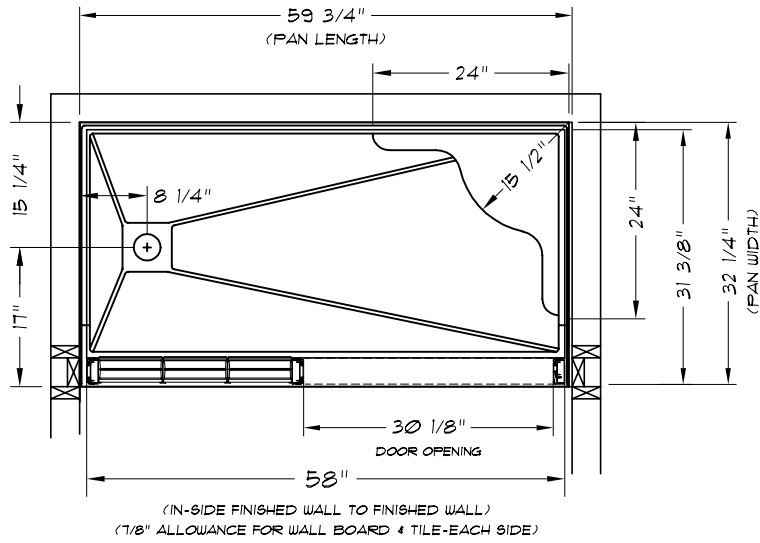
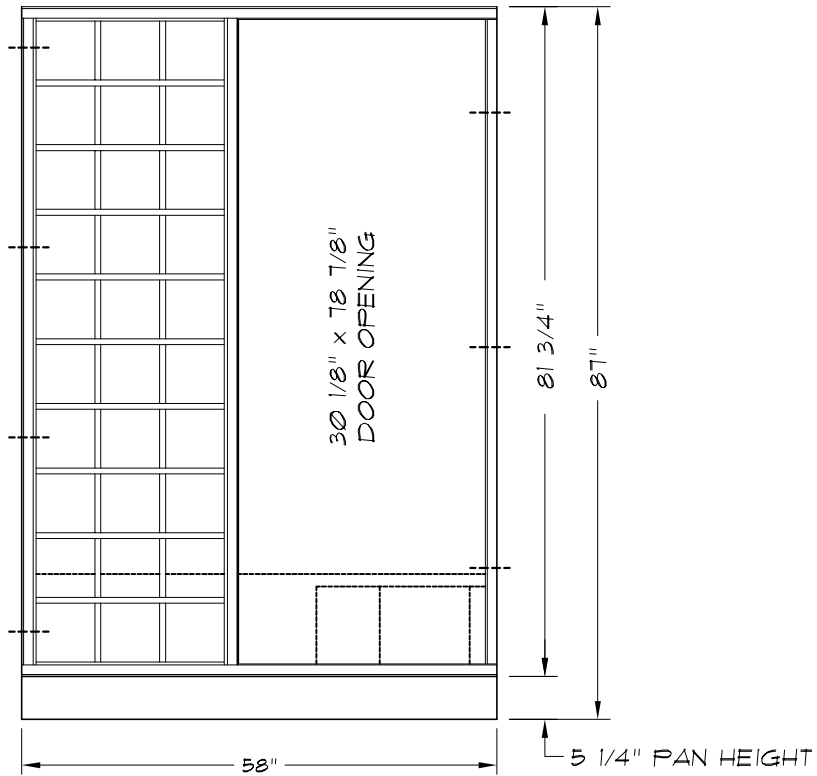


# IN LINE - 4000 SERIES

Model : 4002 - 80PS



ELEVATION



ELEVATION

ALL DIMENSIONS ARE RECOMMENDED  
 FINISHED SURFACE DIMENSIONS

30 GLASS BLOCK REQUIRED (8x8x3)

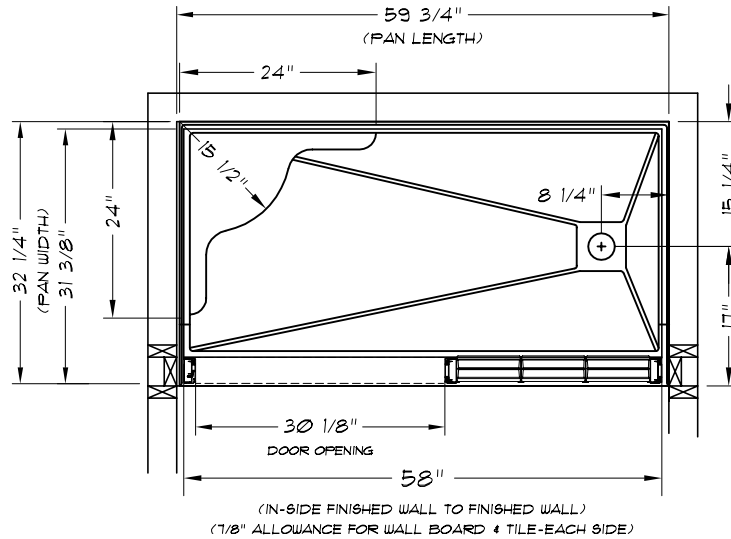
IBP Glass Block Grid System™  
 is a trademark of Innovative Building Products, Inc. \* Fort Worth, TX, USA  
 U.S. Patent Numbers:  
 4294649 \* 4999964 \* 5003744 \* 5042210 \* 5218806  
 Australia: 634975 \* 638988 Canada: 1328970 \* 2015714  
 Brazil: P18904269-7 Greece: 3010097 \* 3017183 Ireland: 62,450 \* 67,796  
 European: 0396075 \* 0356374 Mexico: 165468 \* 172717  
 New Zealand: 230417 \* 233568 Other patents pending worldwide



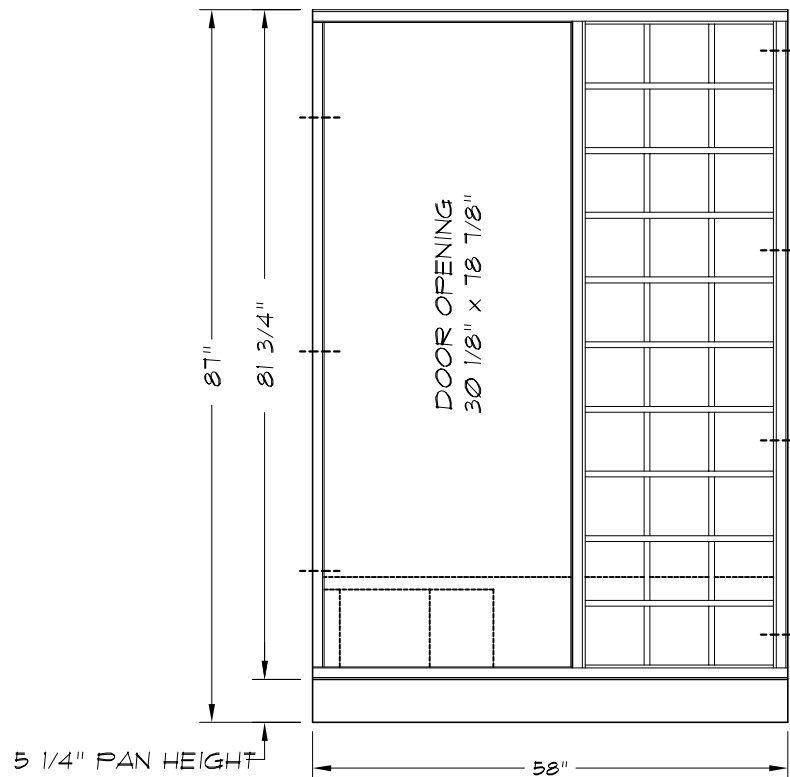
IN LINE - 4000 SERIES  
 (LEFT DRAIN)  
 Model : 4002 - 80PS

# IN LINE - 4000 SERIES

Model : 4002 - 80PS



ELEVATION



ELEVATION

ALL DIMENSIONS ARE RECOMMENDED  
FINISHED SURFACE DIMENSIONS

30 GLASS BLOCK REQUIRED (8x8x3)

IBP Glass Block Grid System™  
is a trademark of Innovative Building Products, Inc. \* Fort Worth, TX, USA  
U.S. Patent Numbers:  
4294649 \* 4999964 \* 5003744 \* 5042210 \* 5218806  
Australia: 634975 \* 638988 Canada: 1328970 \* 2015714  
Brazil: P18904269-7 Greece: 3010097 \* 3017183 Ireland: 62,450 \* 67,796  
European: 0396075 \* 0356374 Mexico: 165468 \* 172717  
New Zealand: 230417 \* 233568 Other patents pending worldwide



www.ibpglassblock.com

IN LINE - 4000 SERIES  
(RIGHT DRAIN)

Model : 4002 - 80PS