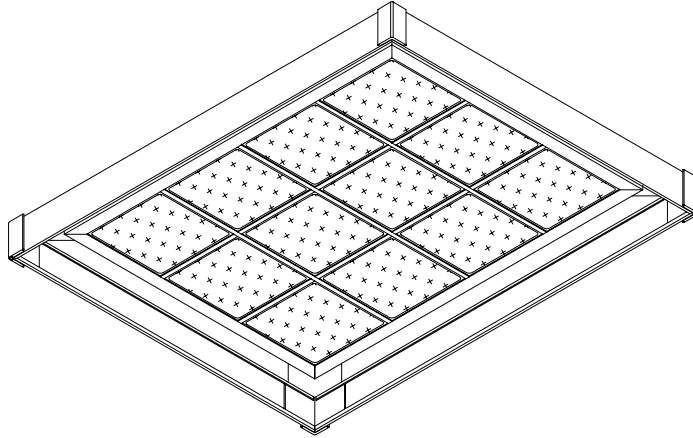


INSTALLATION INSTRUCTIONS FOR SKYLIGHTS



IBP glass block grid system™
WINDOWS SKYLIGHTS • FLOORS SHOWERS WALLS

GENERAL INFORMATION

The installation instructions presented here are intended only for IBP GLASS BLOCK GRID SYSTEM™ Skylights where the rough opening framing, drywall, and trim will be provided by others. For building construction information, refer to your local contractor or "Do-It-Yourself" manual. Instructions are for straight, flat panels. Other IBP systems are available for showers, windows and floors.

PREPARATION

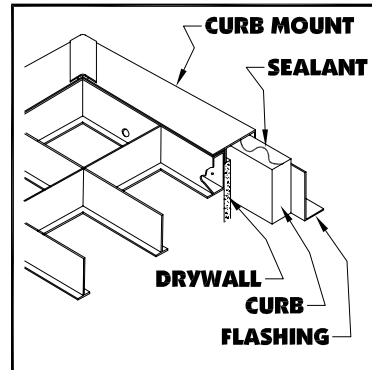
1. Measure the rough opening to insure proper size. It is important to remember that the IBP GLASS BLOCK GRID SYSTEM is not designed to support framing loads. Adequate provision must be made for support of construction around the unit.
2. All work surfaces should be smooth, flat, clean and free of all debris.
3. Read and study all directions and illustrations thoroughly.
4. Handling any metal object involving straight edges or sharp angles can be hazardous. Accordingly, exercise caution and wear gloves while handling this product.

INSTALLATION - SKYLIGHTS

STEP 1

IMPORTANT:
Drywall should be installed 1 1/2" down from top of Curb prior to Skylight installation.

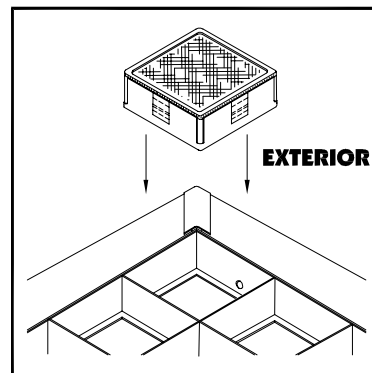
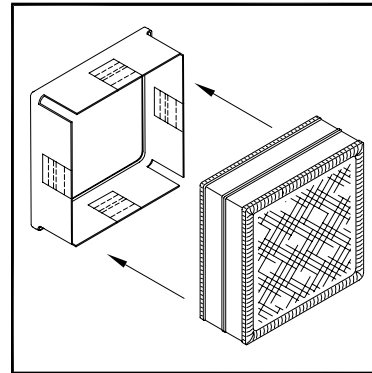
Run a thick, wavy bead of Sealant around the top of the Curb. Take the completed Frame and place it in the opening over the Curb, pressing down on the Curb Mount until the Frame is seated properly, and the curb Mount overlaps the flashing. Install and tighten all of the 1/4" x 1 1/2" lagscrews.



STEP 2

Take the glass block and place it in the glass block boot. Slide the glass block with the the boot into the frame from the exterior side; be sure that the side of the boot that extends onto the face of the glass block is toward the interior (flange side) of the grid.

Because of the inconsistencies in the size of each glass block, it may be necessary to rotate the glass block in order for it to fit into an opening.



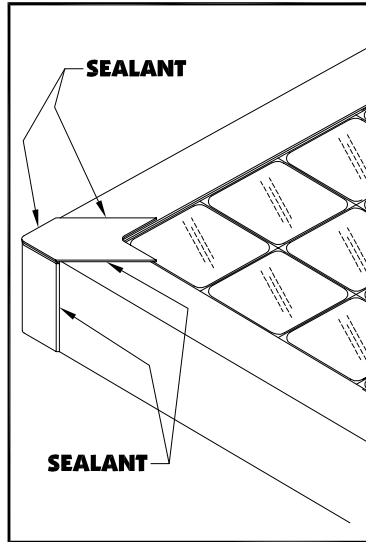
WARNING:

CURB MOUNT IS NOT DESIGNED TO SUPPORT WEIGHT.

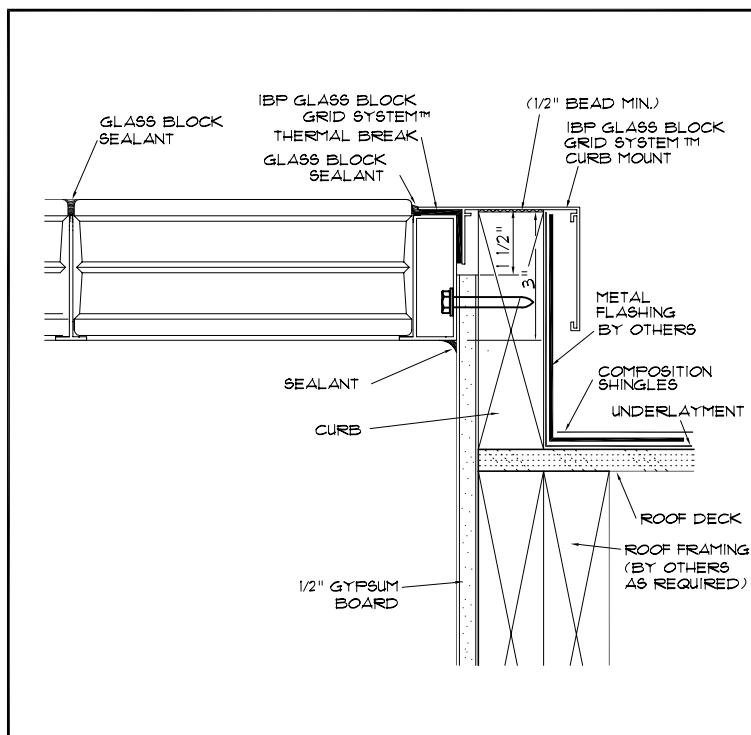
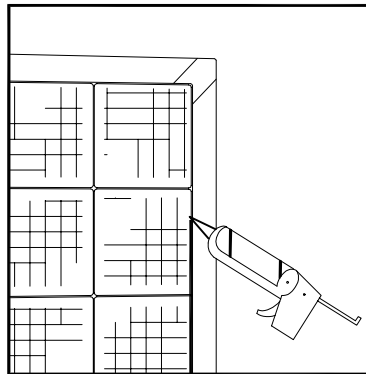
INSTALL AND TIGHTEN ALL LAG SCREWS, AS SPECIFIED, BEFORE INSTALLING GLASS BLOCK, INSUFFICIENTLY TIGHTENED LAG SCREWS COULD RESULT IN UNIT FAILURE AND POSSIBLE INJURY.

STEP 3

A visual channel will be evident around the inside edges of the Frame Assembly (exterior side) and every glass block unit. Fill these channels with the required sealant and wipe flush with the surface (refer to instructions on the sealant tube)



WARNING:
FAILURE TO USE THE REQUIRED
SEALANTS, AS SPECIFIED HEREIN,
COULD RESULT IN UNIT FAILURE.



LIMITED WARRANTY

Innovative Building Products, Inc. (IBP) represents that the products sold hereunder will be free from manufacturing defects in materials for one year after date of purchase from an authorized IBP dealer, provided that proof of purchase can be established by receipt of sales. Any part that the customer determines has a manufacturing defect shall be returned to the authorized IBP dealer where purchases, shipping cost prepaid, if any, and shall be replaced at the sole option of IBP if deemed defective by both IBP and the authorized dealer. The total liability of IBP and/or authorized dealer on any claim, whether in contract, tort (including negligence), under warranty or otherwise, arising out of, connected with or resulting from the manufacture, sale, delivery, resale, repair, replacement or use of any IBP products shall not exceed the total purchase price of the product or part thereof giving rise to the claim.

THE FORGOING WARRANT IS IN LIEU OF ALL OTHER WARRANTIES, EXPRESSED OR IMPLIED, INCLUDING THOSE OF MERCHANTABILITY OR FITNESS FOR ANY PURPOSE NOT EXPRESSLY SET FORTH HEREIN.

No liability is assumed by IBP and/or Authorized dealer except as expressly stated herein. In no event shall IBP and/or authorized dealer be liable for any of the special, incidental, or consequential damages arising out of or in connection with the use of IBP products including, but limited to, damages for loss of revenue, cost of capital, claims of the buyer's customers, and cost and expenses incurred in connection with labor, overhead, transportation, installation or removal of products or substitute facilities or supply sources.

INNOVATIVE BUILDING PRODUCTS, INC.

2917 West 7th Street * Fort Worth, TX 76017 * (817)332-9124 * (817)332-9128 fax
IBP GLASS BLOCK GRID SYSTEM™ is a trademark of Innovative Building Products, Inc.